

# POP-200DS/250DS

**Opens with a single push!**

## New squeezable bottles for the POP-CAP



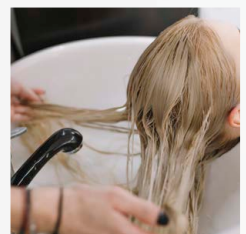
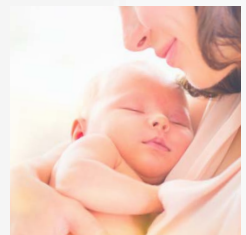
POP-CAP

POP-250DS  
Takemoto



POP-200DS  
Takemoto

POP-200DS  
(snap-on neck)



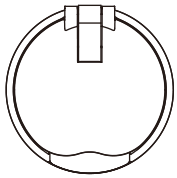
POP-250DS  
(snap-on neck)



POP-200DS  
(snap-on neck)

The one-push opening POP-CAP is now available with squeezable bottles. Moulded from PE material, these bottles can be squeezed to completely dispense the contents, regardless of viscosity. Ideal for a wide range of formulations such as lotions and gels.

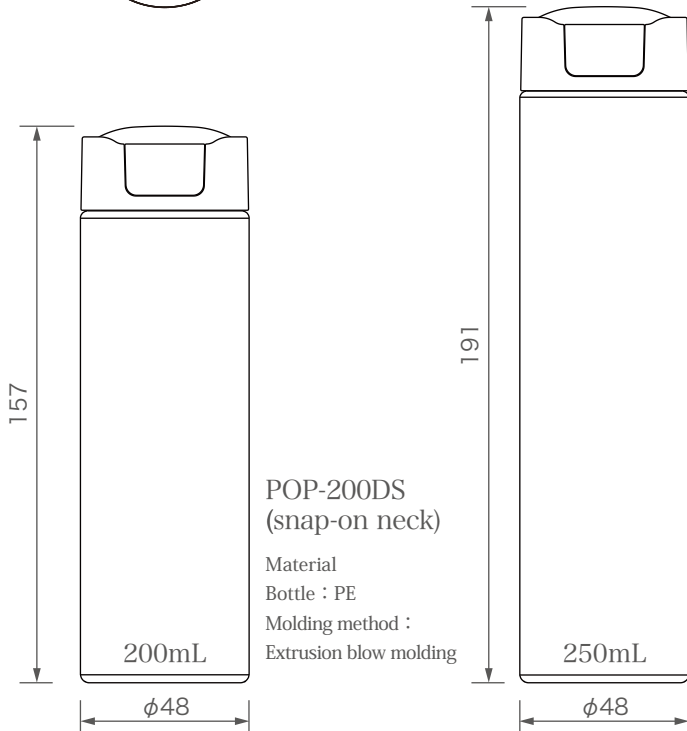
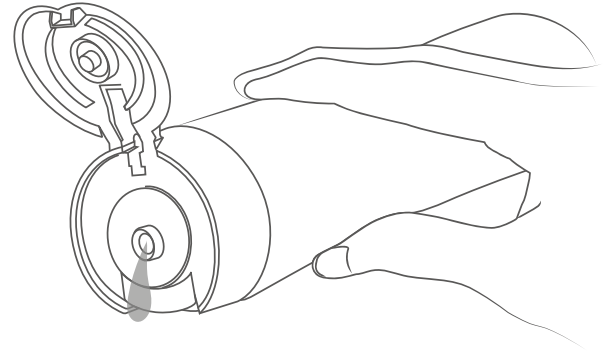
# POP-200DS/250DS Squeezable bottles for the POP-CAP are now available!



POP-CAP

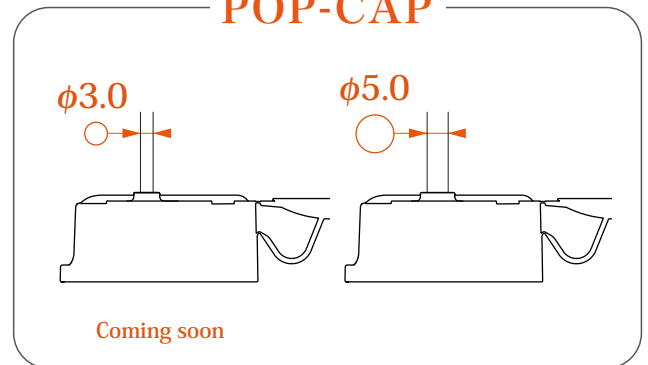
Material  
CAP : PP  
Molding method : Injection

## ■ Easy to squeeze

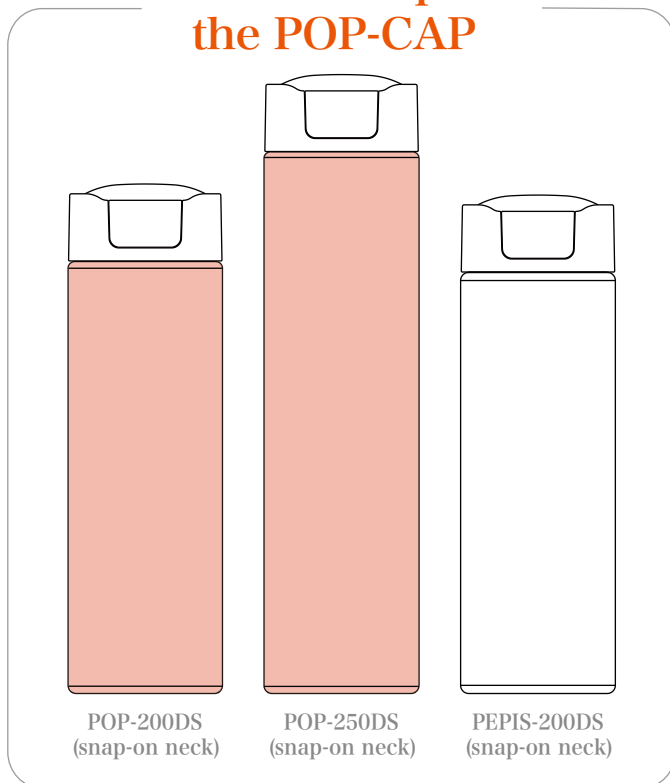


## ■ Choice of two orifice diameter options to suit your product

### POP-CAP

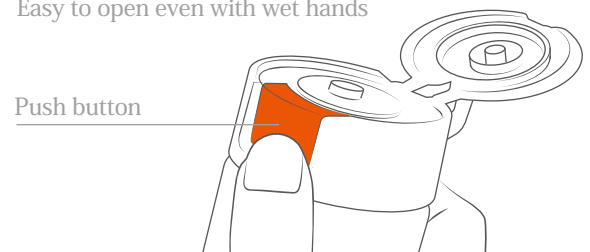


## Bottle line-up for the POP-CAP



## ■ One-handed operation

Easy to open even with wet hands



With a two-part construction, it is possible to choose a different colour for the cap and the button.