

PEWIS-100S/PD-P0524BW Pump

New Pump and Bottle Added to the Simple and User-Friendly PEWIS Series!



PEWIS-100S

Compatible accessories : PD-P0524BW Pump / Over Cap W (Gloss/Mattes)

We have introduced a new design for the 100ml bottle in our popular PEWIS Series. By aligning the diameter with other sizes, we have introduced a pump and overcap to create a seamless and unified look with the bottle. This flush design expands the possibilities for creative design.

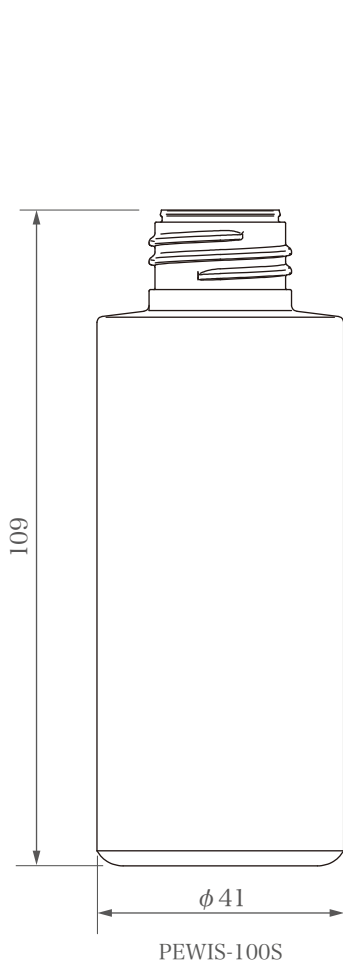
Matte

Gloss

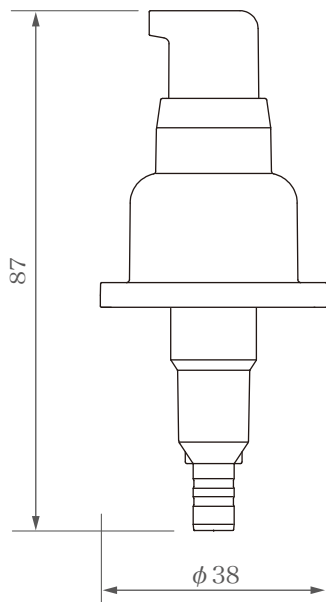


PEWIS-100S PD-P0524BW Pump

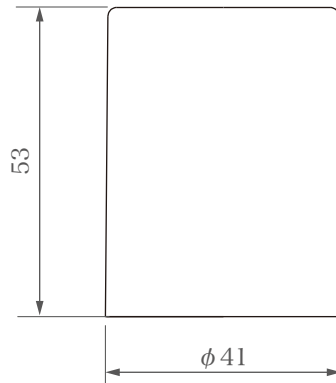
Integrated pump and bottle
with seamless flush design



Bottle material : PET
Molding method : Injection stretch
blow molding



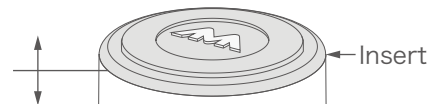
Bottle material : PP
Molding method : Injection



Bottle material : PP
Molding method : Injection

Insert structure offers increased design possibilities

The insert structure of the mold provides
the opportunity for added originality and branding.

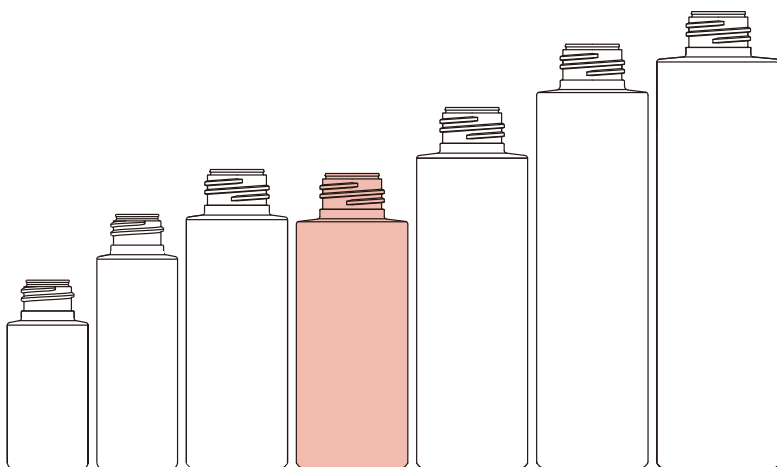


TCS Takemoto Colour Selection Compatible Component

- We have selected a total of 42 colours for products made from PET material using injection stretch blow moulding: 19 standard colours, 16 matte colours and 7 gentle tone nuance colours.
- We have selected a total of 36 colours for products made from PP material using injection moulding: 29 standard colours and 7 Gentle Tone Nuance colours.
This range of colours helps to reduce the development time from design to product realisation.

PEWIS Series

Choose the right combination for your product formulation and concept.

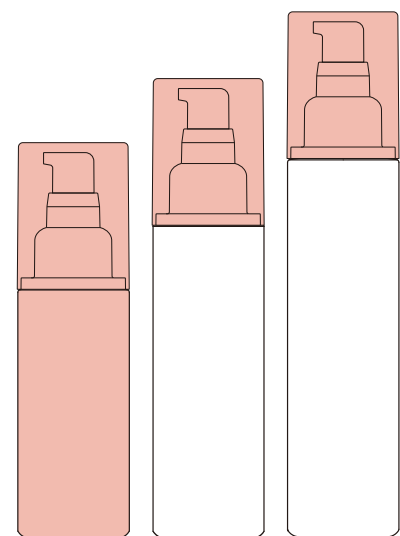


PEWIS Series
Capacity : 30mL, 50mL, 80mL, 100mL, 120mL, 150mL, 200mL

20/410 (PPS Series)

24/410 (P Series)

Flush Design Options



PEWIS-100S
100mL

PEWIS-120B
120mL

PEWIS-150A
150mL