

IK-150S/150IIS

Ideal for Scalp Care New Size Added to IK Series



IK-150S
Easy to squeeze bottle

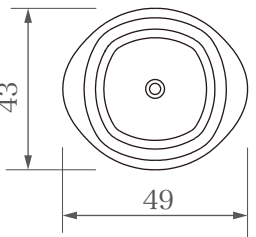
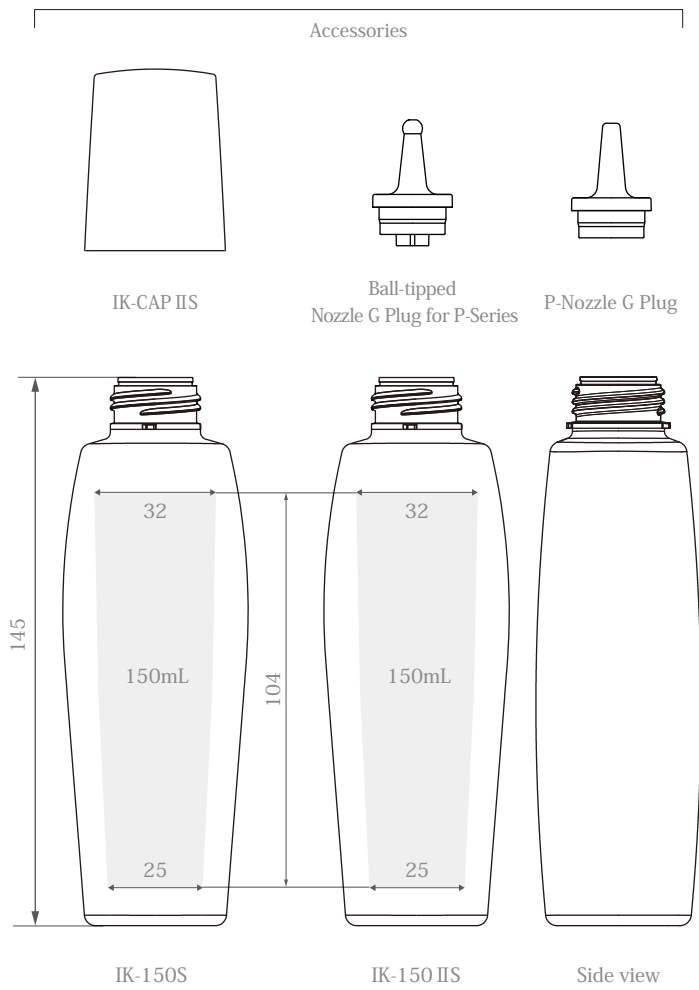
Compatible bottles(from the left) : IK-150IIS/IK-150S
Compatible accessories(from the left) : IK-CAP IIS/Ball-tipped Nozzle G Plug for P-Series

We have added a 150ml option to the IK Series, which is ideal for scalp care and hair care products. Depending on the viscosity of the contents, you can choose between squeezable and non-squeezable options.

(IK-150 IIS : Non-squeezable / IK-150S : squeezable)



IK-150S/150IIS — New size added to our scalp care series —

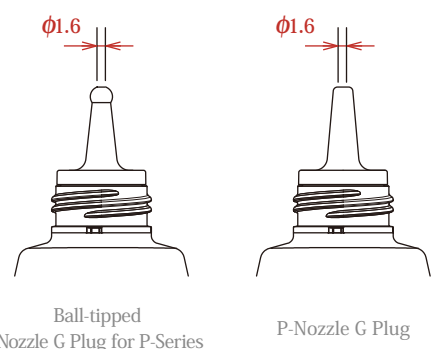


Material: PET
Molding method: ISBM

* area on the drawings below indicates the maximum printing range for silkscreen printing.
* Please contact us for details about the printing.

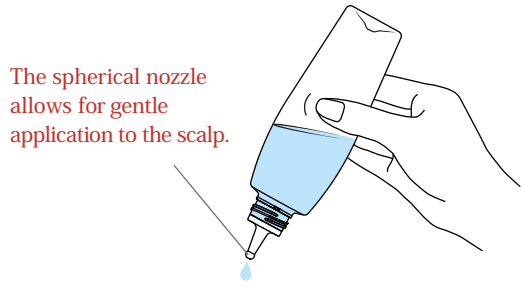
Compatible accessories

You can choose from two different types of nozzle plugs with differently shaped tips.



Easy to squeeze

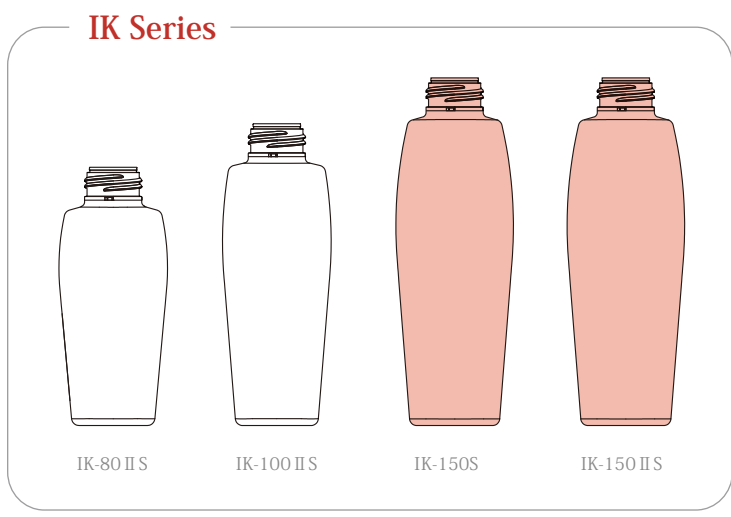
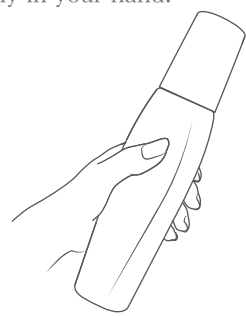
IK-150S is squeezable, making it suitable for relatively high viscosity formulations.



The spherical nozzle allows for gentle application to the scalp.

Easy to hold shape

The bottle features a design with curves that fits comfortably in your hand.



TCS Takemoto Colour Selection

Compatible Component

We have selected a total of 26 colors for products made through PET material injection stretch blow molding: 19 standard colors and 7 gentle-tone nuance colors. These options can help streamline the development process from planning to product realization, reducing the development timeline.